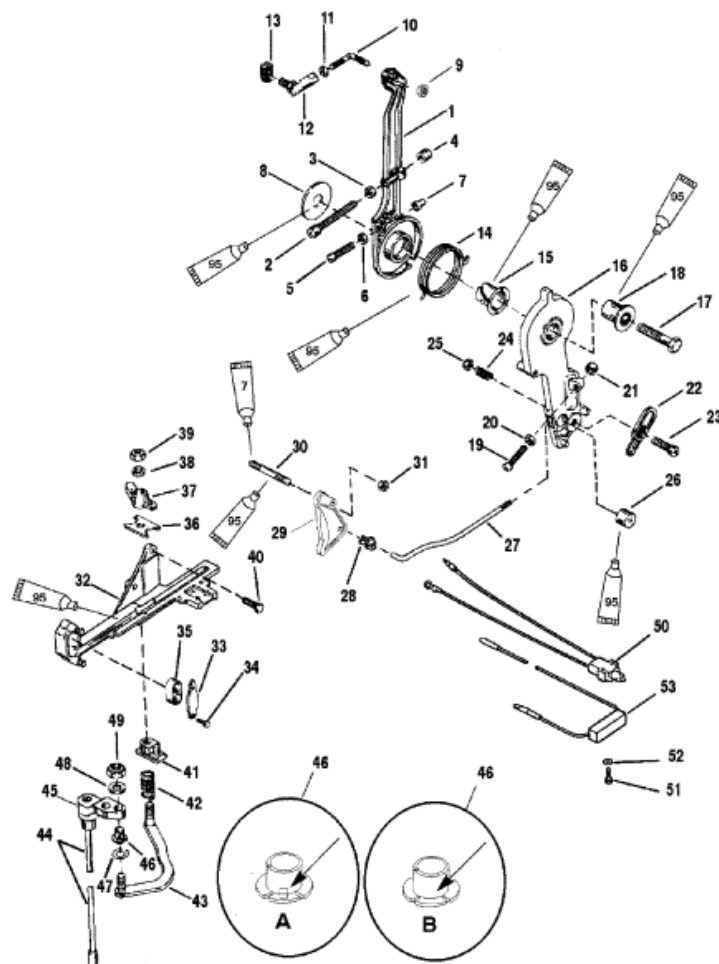


Parts List



Loctite 271 (Obtain Locally)
 2-4-C With Teflon (92-825407A12)

A = WITH TAB
 B = WITHOUT TAB

11957

Ref	Class	Part	Description	Qty	Comment	Footnote
1		41094A 3	LEVER ASSEMBLY	1		
2	10	64022	SCREW, (.250-20 x 2.125)	1		
3	11	64015	NUT, (.250-20)	1		
4		26852	CAP	1		
5	10	13627	SCREW, (.190-32 x 1.250)	1		
6	11	68219	NUT, (#10-32)	1		
7		48039	CAP	1		
8	12	46765	WASHER	1		
9	11	46438	NUT, (#10-32)	1		
10		76035	ROD	1		
11	11	45076	NUT, (#10-32)	1		
12		62459	BALL JOINT ASSEMBLY	1		
13		74897	PIVOT	1		
14	24	823235	SPRING	1		
15	23	55171	BUSHING	1		
16		41095	LEVER	1		
17	10	818165	SCREW, (.375-16 x 1.75)	1		
18	23	55164	BUSHING	1		
19	10	64022	SCREW, (.250-20 x 2.125)	1		
20	11	64015	NUT, (.250-20)	1		
21		26852	CAP	1		
22		39483	LATCH	1		
23	10	69026	SCREW, (.250-28 x .880)	1		
24	24	20099	SPRING	1		
25	11	35045	NUT, (.250-28)	1		
26		14638	BARREL	1		
27		830239	ROD	1		
28	23	93248	BUSHING	1		
29		828276	THROTTLE CAM	1	(135)	
29		828276	CAM	1	(150 Thru 200)	
30	16	20353	STUD, (.250-28 x 1.750)	1		
31	11	35045	NUT, (.250-28)	1		